

Examination Unit E-20 SE

Your personal workstation - high-quality and tailor-made



E-20 SE - Your personal unit

Design your new favourite workplace!



Customised look in highest quality

The control console is hand crafted from wood and with its curvaceous design creates a subtle look in an otherwise unsettling environment.

We have tried really hard to create a feeling of a stylish piece of furniture to set your patients at ease.

Exactly to your taste

Incorporate your own desires or your existing design into your new unit. Choose from over 200 RAL colours, countless HPL coatings and real wood veneers in combination with a wide variety of upholstery covers from our extensive collection of samples.

Of course, the technical components are also individually adapted to your needs. The modular design of the E-20 makes it possible.

- Personal branding.



Robust

A robust and solid metal frame is at the core of all **bon** refraction units. Made in Germany, bon units are built to endure the test of time.

- A sound investment in your future.

Compact

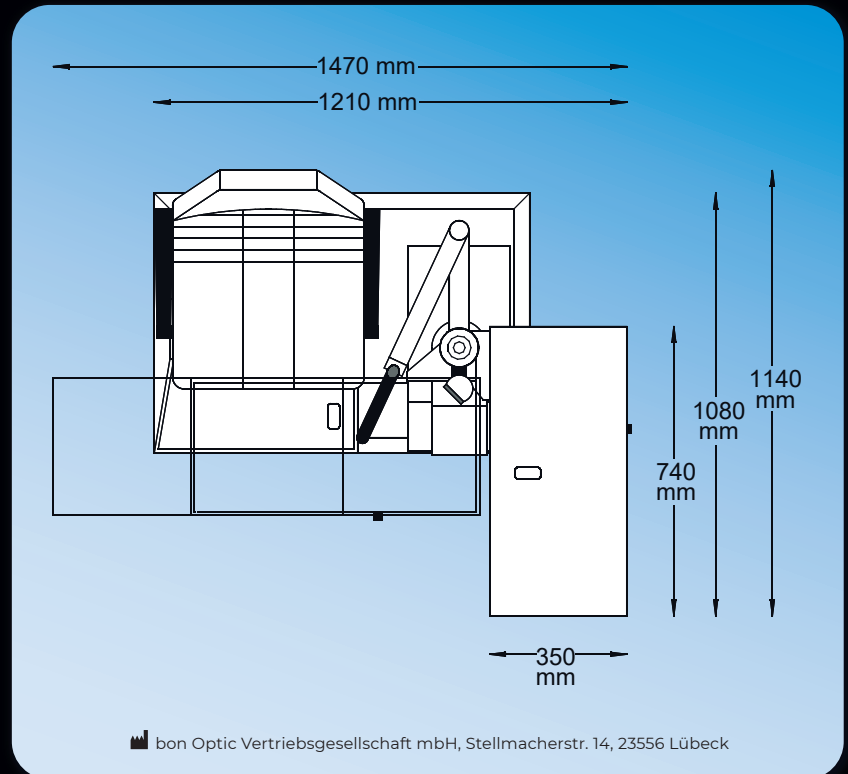
Small in size yet BIG in Benefits. A decisive benefit of the E-20 SE is its small footprint.

The E-20 SE requires a maximum width of 147 cm and is among the most compact of units available. And because the modular design allows you to incorporate all your extras, such as pc key board or trial set it really allows you to optimize your space.

At just 1.7 m² working space it allows you to refract, examine, measure and fit in even the tiniest of refraction rooms and all that in comfort too.

So if your room space is limited but you would like a versatile flexible unit that also looks good then you need to look no further.

E-20 SE - The small wonder



Flexible

The double sliding table will easily accommodate a larger instrument such as an autorefractor in the second position.

- Optimizing space and work flows where required.

Your comfort.

The small details often make the difference. We have calculated exactly the turn on the swing over table to ensure you can achieve a smooth movement easily, without having to adjust your working position. All controls are logically placed and easily reached without you having to stretch or reach across your patient.

- Optimal working position.





Patient comfort.

The unique magnetic lock allows you to lock the table in any position allowing you to examine even the more corpulent patients without any embarrassing mishaps. Likewise the optional retractable arm rest can be moved up making the chair more accommodating.

- Putting you and your patient at ease.



Easy access for elderly patients.

The gently sloping base plate is designed to ensure easy access for patients. There is no step to trip over. The chair has been specifically designed so that your patient can sit down and get up ergonomically and easily without a struggle.

- Patient comfort guaranteed.



Logical storage options

The E-20 allows you to include an optional trial lens tray with integrated contact lens mirror. This is neatly stowed underneath the sliding table and can be swung out when required, allowing you a neat storage solution for trial lenses. You can practice lens insertion with your patient without the need for them to move.

- Saving time and space.

Intelligent design

Most refraction units require a safety off switch to prevent the chair from travelling too high and trapping the patient's legs. We put a little more thought into this aspect to ensure that this will never happen. No safety off switch is required. Likewise the chair travel has been so designed to ensure that you can test children and smaller adults without the need for an extra cushion.

- Patient comfort and safety is our common priority.





bon



Design solutions.

The projector column and phoropter arm can be height adapted to accommodate your phoropter of choice manual or automatic. Special adaptors which are colour matched and in keeping with the unit design enable us to fit any phoropter or projector.

Ergonomics

The control panel is logically laid out and within easy reach. The intuitive lay out and the back ground illumination ensure that you will always find the correct switch even in a low light environment.

Chair up - Chair down - Spot light - Second instrument - Pulse for room lights - Auxiliary



Spotlight

The spot light is ideally positioned to provide ample light where your patient needs it, on the near vision card.

Computer friendly

In a digital world more and more computer equipment is entering the consulting room. With the E-20 you can make life easier by selecting the computer package. This is a neat solution comprised of;

A keyboard holder

This is located under the sliding table and can be swung out when required. Your keyboard is at your fingertips as and when you need it. Comfortable working position.

(This option cannot be fitted with the trial lens tray.)

A Computer rack

Provides neat storage of a compact format desktop PC.

An adjustable monitor mount.

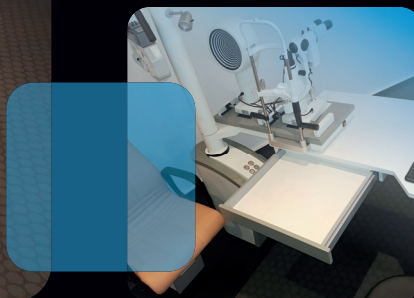
This allows you to mount the monitor on the projector column. The flexible arm enables you to position the monitor so that you can work comfortably and share information and images with your patients.





Customised desk

Add a high-quality desk to your E-20 SE as an option. It is made exactly to your desired dimensions in the same design as the unit. If requested, the desk offers a drawer container with valuable storage space as well as a slide-out for trial lens sets directly at the patient.



Sit comfortably!

The "Samba 500" from the Danish manufacturer VELA Medical is the perfect companion for any refraction unit. Its seat is exceptionally thickly padded. So you sit extremely comfortably all day long. The swivel stool has sturdy smooth-running castors and a practical height adjustment ring for easy access from all sides. The seat cover is made of easy-care and very robust imitation leather. The standard color is black. Many other colors are available on request.



VELA Medical, Gøteborgvej 8-12,
9200 Aalborg SV, Denmark



Room planning and installation

With our wealth of experience, we are happy to assist you with your planning from the very beginning. Our team can speak directly with your architects to work together to create the optimal space layout for effective workflow.

Whether you are relocating or redesigning your practice, our service team is happy to assist you from A to Z. Just ask us, we will be happy to support you!

Rev. 2023-10-25

bon Optic Vertriebsgesellschaft mbH

Stellmacherstr. 14 · 23556 Lübeck, Germany · Phone 49 451 80 9000
Fax +49 451 80 900-10 · E-Mail call@bon.de · Internet www.bon.de

